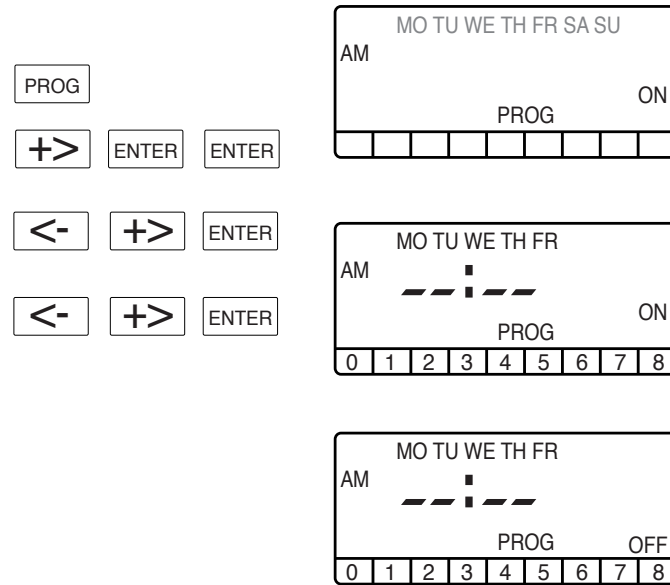


Deleting Programs Already Set

1. Press the [PROG] key.
2. With the [+>] key search for the "PROG ON" which is to be deleted and press the [ENTER] key twice.
3. With the keys [<-] or [+>], overwrite the hours of the "PROG ON" with "--" and press the [ENTER] key twice.
4. With the keys [<-] or [+>], overwrite the hours of the "PROG OFF" with "--" and press the [ENTER] key once.
5. The display once again shows the present time, day of week and selected temperature



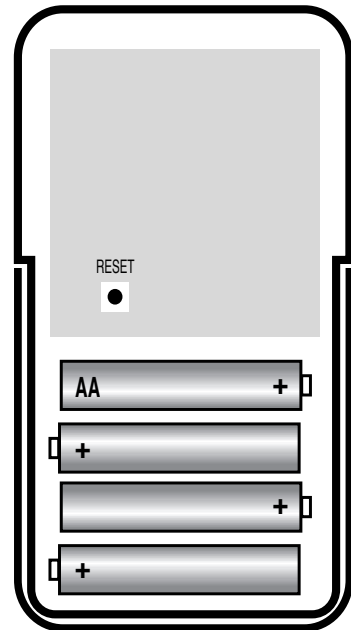
SPECIAL NOTE: The two program fields that you have just deleted will still show the minutes of the deleted program when reviewed. These fields can be reset to a new program by following the instructions in the Setting Additional Sets of Programs section.

Changing the Batteries

Four AA batteries power the controller. To avoid loss of the stored information during the changing of batteries, set the temperature setting to "0" (see Temperature Settings for details). Open the housing, take out the batteries and carefully replace them with new ones, paying close attention to the polarities.

Reset

The reset button [*] is placed inside the housing of the Controller. (The button is located above the left of the topmost battery). By operating this button the entire programming will be canceled and the device will revert to simple manual operation until reprogrammed.



the EVOLUTION OF COMFORT

www.zehnderamerica.com

zehnder towel radiator infrared programmable controller instructions



GENERAL

The electric immersion heater system (IRVAR) is comprised of an immersion heater with and infra-red (IR) detector and a remote controller unit (IRVAR11) with an infra-red transmitter. The immersion heater supplies the necessary energy for heating the Towel Radiator. After programming the controller for temperature and daily and weekly programs, the controller must be installed permanently in the same room as the Towel Radiator on a convenient wall (preferably with an unobstructed path to the immersion heater).

Display

The LC- Display generally shows the current time, day of week, and selected temperature. The transmission of an infra-red signal may be indicated with a short appearance of the "(••))" symbol. If "BAT" is displayed, there is low battery power and it is recommended to change the batteries (see Changing the Batteries).

LED Lamp

The red LED Lamp is located at the bottom of the Towel Radiator. When lit it indicates the heating and automatic control functions of the Towel Radiator. Continuous flashing, twice per second indicates a malfunction. The heating of the Towel Radiator will be interrupted until the cause of the malfunction is rectified and the unit is disconnected from its power supply for a short period. This can be accomplished by pulling out the plug or switching off the circuit breaker.

The red lamp goes off when the fluid reaches a preset value. The lamp will come back on after the fluid cools.

